

WATER SPRAY RETORT AND DIRECT STEAM RETORT



POUCH



BOTTLE



CAN



TRAY



OFM waterspray overpressure and direct steam retort with thermal process programmable logic control (PLC) designed for sterilize food in containers such as can, retort pouch, glass bottles, plastic bag and so on.



All vessel, valve pipework and heat exchanger is stainless steel material.



Insulated shell with mirror polished stainless steel (Insulator thickness 50 mm.)

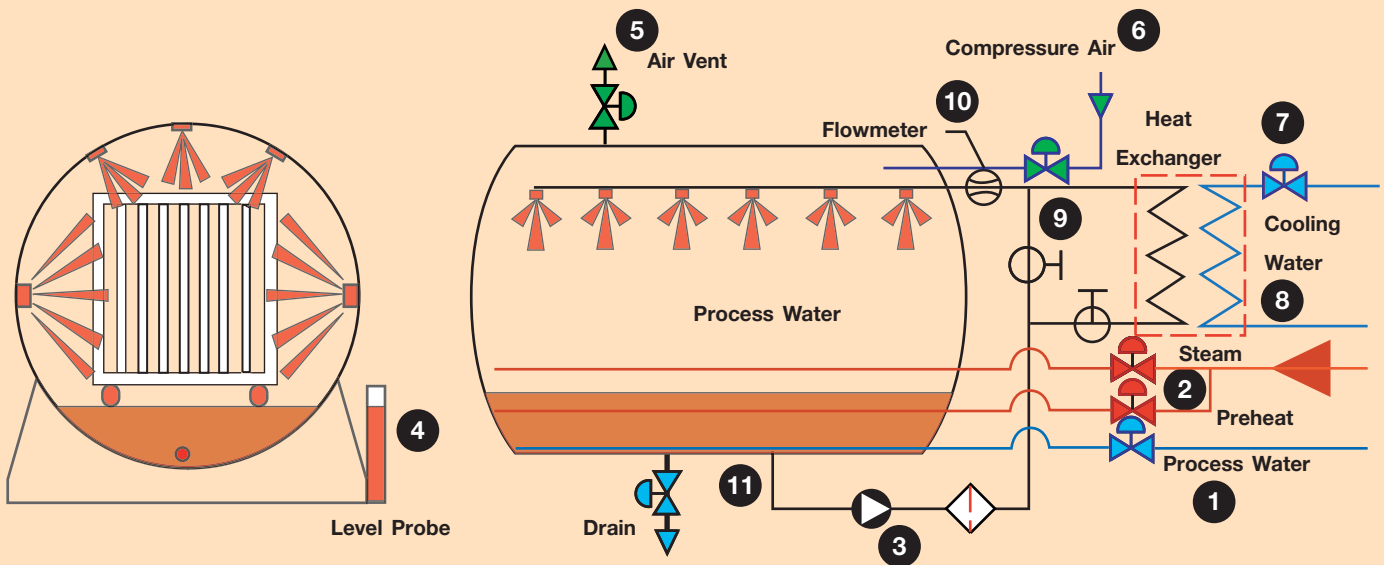


Process monitoring in the operator inter face with complete information of temperature, pressure, time and flow.



Fully automatic control

PROCESS



1. Freshwater

2. Steam valve

3. Water circulation pump

4. Water level Control

5. Exhaust valve

6. Compressed air valve

7. Cooling water valve

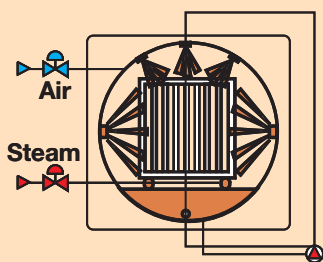
8. Plate heat exchanger

9. By-pass valve

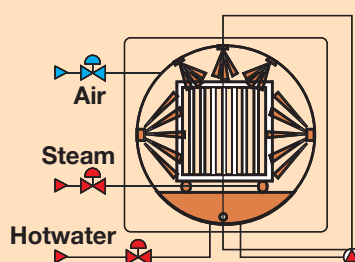
10. Water flow meter

11. Water drain valve

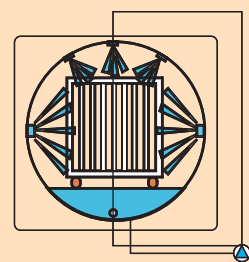
PROCESS



Water filling Preheating



Sterilizing



Cooling

Accessories



SUS. Basket



SUS. Trolley

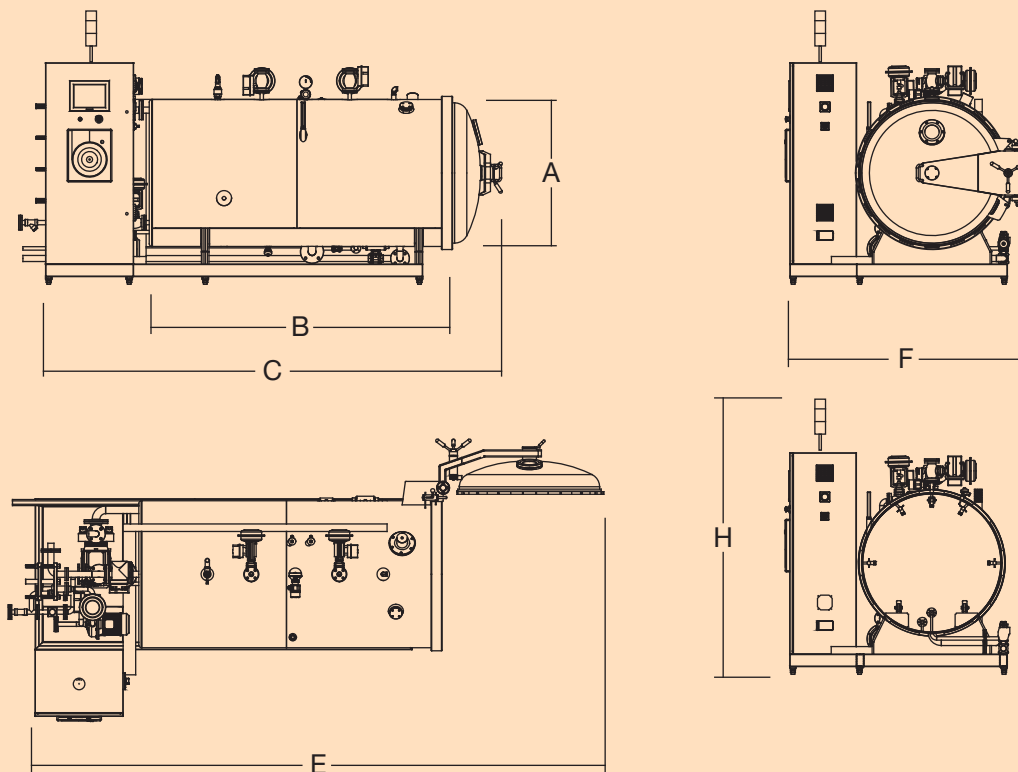


SUS. Tray

SPECIFICATIONS

ITEM		Model				
		SC1000	SD1500	AT2000	AT4000	AT6000
A	mm.	970	1200	1400	1400	1400
B	mm.	1000	1500	2000	4000	6000
C	mm.	2200	3000	3200	5200	7500
E	mm.	2800	3900	4050	6000	8000
F	mm.	1900	1960	2330	2330	2330
H	mm.	2100	2200	2200	2200	2200
Capacity (number of basket)	pcs.	1	2	2	4	6
Installed power	kW.	3	6.5	6.5	7	12
Average steam consumption per cycle	kgs.	28	80	100	125	150
Average water consumption per cycle	liter.	1000	2000	4000	8000	12000
Average air consumption per cycle	liter.	1500	2000	2500	4500	6500
Maximum service temperature	°C.	170	170	170	170	170
Maximum service pressure	bar	6	6	6	6	6
Steam supply pressure	bar	5-7	5-8	5-8	5-8	5-8
Water supply pressure	bar	3-5	3-5	3-5	3-5	3-5
Weight (empty retort) approx.	kgs.	850	1200	1500	1900	2200
Standard electrical specification	v.	380	380	380	380	380
No. of Spray pipe	pcs.	7	7	7	7	7
Heat distribution	°C.	± 0.5	± 0.5	± 0.5	± 0.5	± 0.5

Remark : Specification subject to change without notice.



OWNER FOODS MACHINERY CO.,LTD

80/335 Bangkhuntain rd., Samaedum Bangkhuntain Bangkok 10150

Tel. +66(0)-2899-8834, 2899-8939 Fax. +66(0)-2899-8348 E-mail : foods@ofm1997.com, ofm1997@hotmail.com