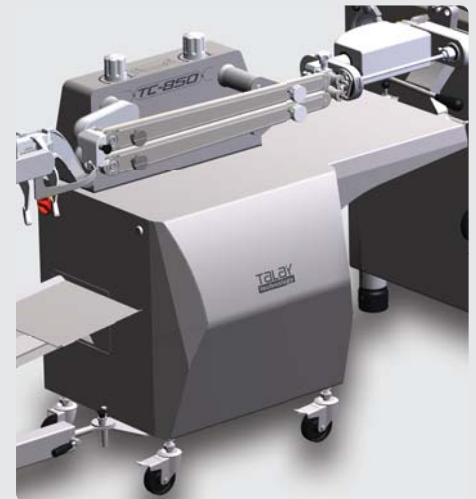


**TC 850 : casing calibration device**

Rational and flexible production of sausages.

- Fresh product is link and cut in line.
- After emerging from the TF130, the individual sausages or similar products are ready to packing.
- The constant working performance of filling station can be increased.
- Centrally operation controlled via filling control program.
- Reliable through quality with uniform and equal in weight and length.
- Caliber differences of the casing can be compensated.
- The fresh sausages are quickly and hygienically prepare for sale.
- Flexible and easy operation and adjustment.



Technical Specification:	TC 850
Type of filling machine	TF 130 & TF 340
Portioning speed	up to 250 Port/min (for TF130)
Type of casings	all artificial and natural casings
Range of calibrate	15 to 50 mm.
Length of portions	25 to 600 mm.
Types of holding devices	holding device for TC
Length of twisting pipes	400 mm.
Compressed air connection	6 bar, 80 l/min
Connecting value	380 V / 50 Hz. 1.5 kW
Net weight	195 kg.

**Dimension for TF 130 , TC 850**

