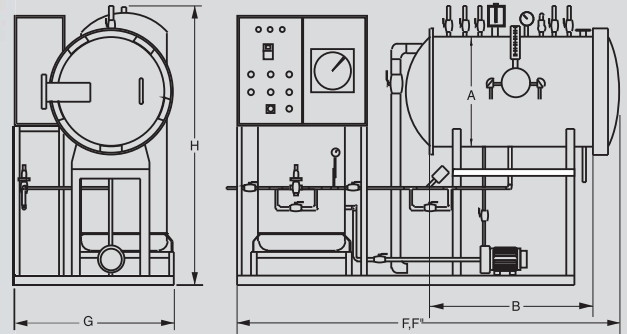


Horizontal RETORT

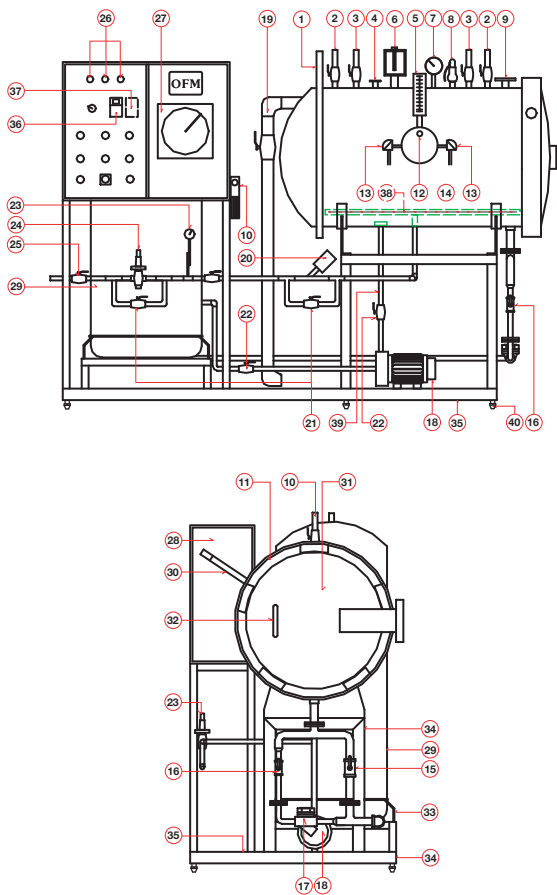


Model 60 ROFM



60 ROFM

Technical Data



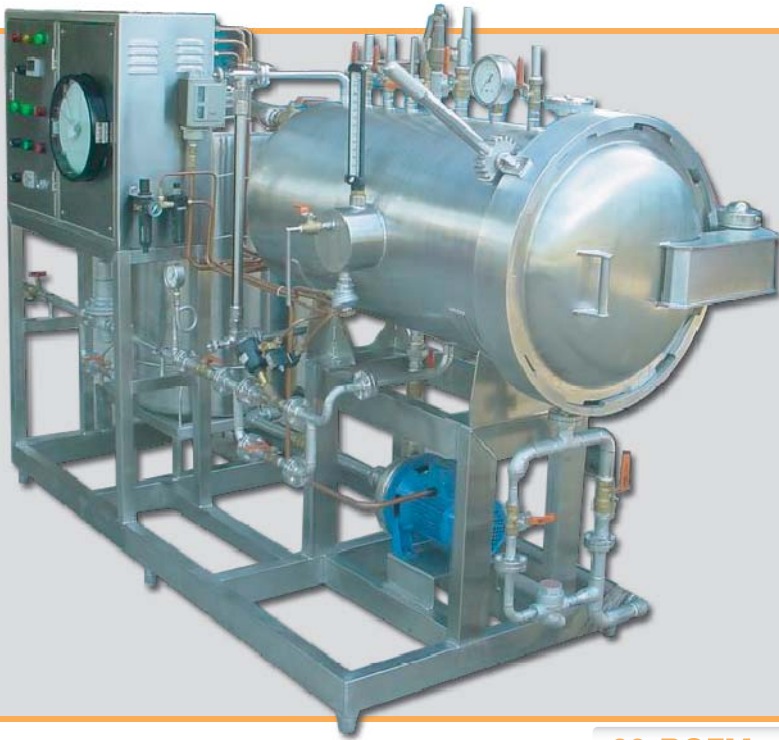
Over all dimensions (G x F x H)	860x1930x1425 mm.
Retort tank diameter (A)	500 mm.
Retort tank length (B)	430 mm.
Retort tank capacity (L)	80 Liters.
Water tank capacity with float valve (29)	200 Liters
Thickness of retort tank (14)	5 mm.
Thickness of cover (31)	5 mm.
Total of rail for basket	1 Set.
Cover system of retort tank (31)	Clip lock by hand.
M.I.G. Thermometer range (5)	80 - 130 °C.
M.I.G. Thermometer scale (5)	0.5 °C.
Pressure gauge range (7)	0 - 3 kg/cm ² .
Pressure gauge diameter (7)	3"
Temperature recorder (27)	1 Set.
Air regulator (10)	1 Set.
Safety valve diameter (8)	1/2"
Bleeder valve (12)	2 Units.
Vent valve (2)	2 Units.
Reducing Valve (24)	1 Unit.
By pass valve	2 Units.
Main breaker (37)	1 Unit.
Over flow pipe diameter (19)	1 1/2"
Drain valve & Steam trap (15 & 17)	1 Unit.
Sight glass (1)	1 Unit.
Cooling pressure system (6)	Automatic pressure switch.
Temperature control system	Automatic temperature control.
Air compressure	1 Hp.
Cooling pump (material contact water is SUS.)(18)	1 Hp.
Car for basket	1 Unit.
Basket for can	4 Units.



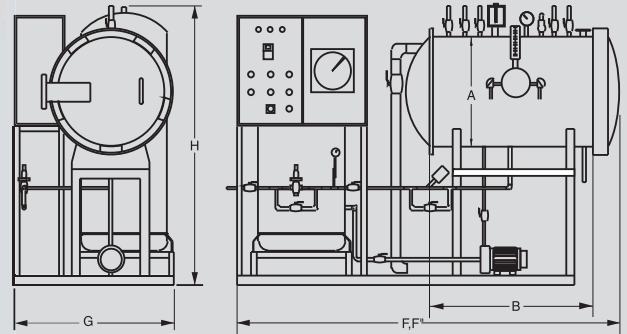
OWNER FOODS MACHINERY CO.,LTD.
Food Processing Equipment & Machine

80/335 BANGKHUNTAIN RD, SAMAEDUM BANGKHUNTAIN BANGKOK 10150 TEL. (662) 02-899-8834, 02-899-8939 FAX. (662) 02-899-8348

Horizontal RETORT

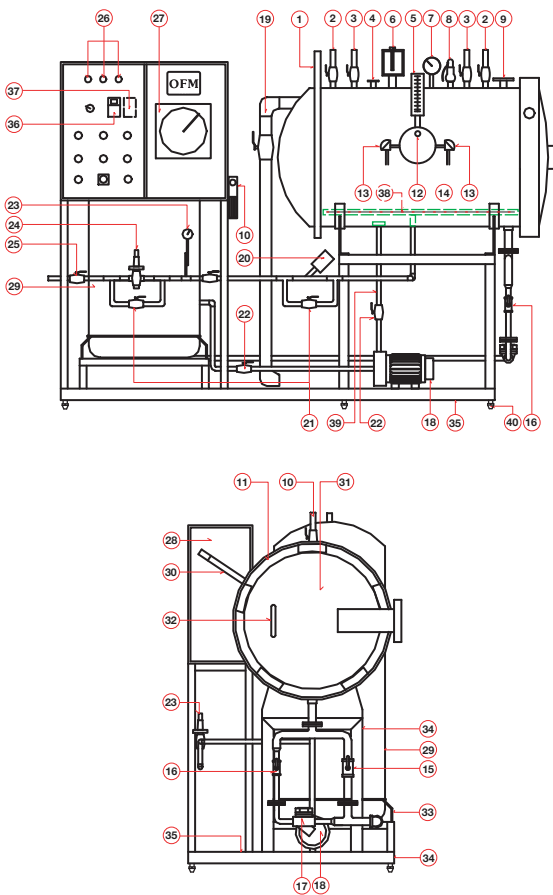


Model 90 ROFM



90 ROFM

Technical Data



Over all dimensions (G x F x H)	860x2100x1425 mm.
Retort tank diameter (A)	500 mm.
Retort tank length (B)	900 mm.
Retort tank capacity (L)	175 Liters.
Water tank capacity with float valve (29)	200 Liters
Thickness of retort tank (14)	5 mm.
Thickness of cover (31)	5 mm.
Total of rail for basket	1 Set.
Cover system of retort tank (31)	Clip lock by hand.
M.I.G. Thermometer range (5)	80 - 130 °C.
M.I.G. Thermometer scale (5)	0.5 °C.
Pressure gauge range (7)	0 - 3 kg/cm ² .
Pressure gauge diameter (7)	3"
Temperature recorder (27)	1 Set.
Air regulator (10)	1 Set.
Safety valve diameter (8)	1/2"
Bleeder valve (12)	2 Units.
Vent valve (2)	2 Units.
Reducing Valve (24)	1 Unit.
By pass valve	2 Units.
Main breaker (37)	1 Unit.
Over flow pipe diameter (19)	1 1/2"
Drain valve & Steam trap (15 & 17)	1 Unit.
Sight glass (1)	1 Unit.
Cooling pressure system (6)	Automatic pressure switch.
Temperature control system	Automatic temperature control.
Air compressure	1 Hp.
Cooling pump (material contact water is SUS.)(18)	0.5 Hp.
Car for basket	1 Unit.
Basket for can	4 Units.



OWNER FOODS MACHINERY CO.,LTD.
Food Processing Equipment & Machine

80/335 BANGKHUNTAIN RD, SAMAEDUM BANGKHUNTAIN BANGKOK 10150 TEL. (662) 02-899-8834, 02-899-8939 FAX. (662) 02-899-8348

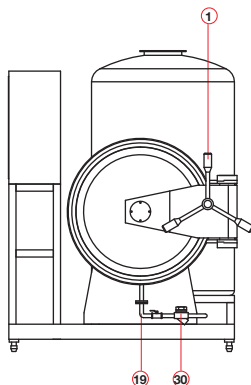
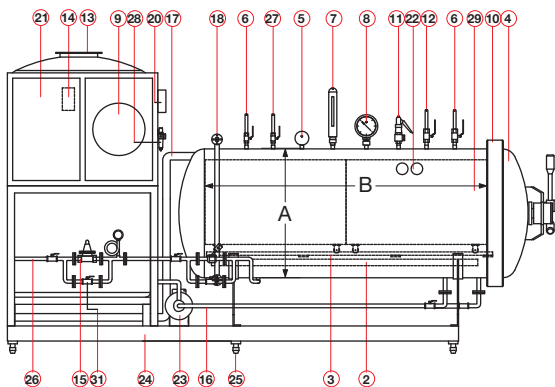
Horizontal RETORT



Model 200 ROFM



Control & Temp. recorder



200 ROFM

Technical Data

Over all dimensions (Approx)	_____	1000x1750x1330 mm.
Retort tank diameter (A)	_____	670 mm.
Retort tank length (B)	_____	1500 mm.
Retort tank capacity (L)	_____	500 Liters.
Water tank capacity with float valve (13)	_____	350 Liters
Thickness of retort tank (29)	_____	5 mm.
Thickness of cover (4)	_____	5 mm.
Total of rail for basket	_____	1 Set.
Cover system of retort tank (1)	_____	Cover turn by hand.
M.I.G. Thermometer range (7)	_____	80 - 130 °C.
M.I.G. Thermometer scale (7)	_____	0.5 °C.
Pressure gauge range (8)	_____	0 - 4 kg/cm ² .
Pressure gauge diameter (8)	_____	3 1/2"
Temperature recorder (9)	_____	1 Set.
Air regulator (28)	_____	1 Set.
Safety valve diameter (11)	_____	1"
Bleeder valve (6)	_____	(1/8") 2 Units.
Vent valve (12)	_____	(3/4") 1 Units.
Reducing Valve (15)	_____	1 Unit.
By pass valve (31)	_____	2 Units.
Main breaker (14)	_____	1 Unit.
Over flow pipe diameter (17)	_____	1 1/2"
Drain valve & Steam trap (19 & 30)	_____	1 Unit.
Sight glass (18)	_____	1 Unit.
Cooling pressure system	_____	Automatic
Temperature control system	_____	Automatic
Cooling pump (material contact water is SUS.)(23)	_____	1 Hp.
Car for basket	_____	1 Unit.
Basket for can	_____	2 Units.



OWNER FOODS MACHINERY CO.,LTD.
Food Processing Equipment & Machine

80/335 BANGKHUNTAIN RD, SAMAEDUM BANGKHUNTAIN BANGKOK 10150 TEL. (662) 02-899-8834, 02-899-8939 FAX. (662) 02-899-8348

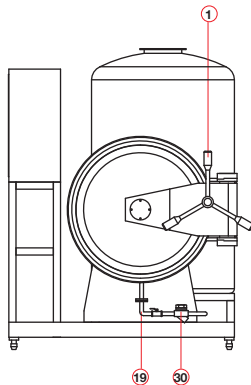
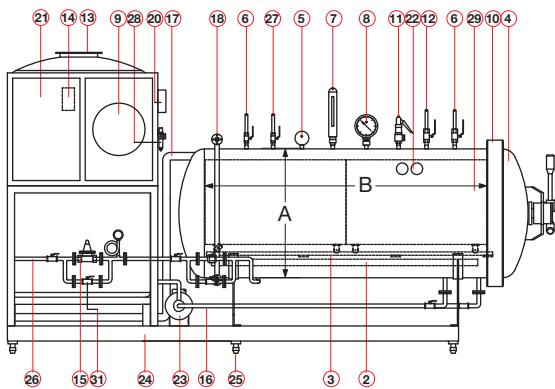
Horizontal RETORT



Model 300 ROFM



Control & Temp. recorder



300 ROFM

Technical Data

Over all dimensions (Approx)	_____	1000x1750x1330 mm.
Retort tank diameter (A)	_____	670 mm.
Retort tank length (B)	_____	1000 mm.
Retort tank capacity (L)	_____	350 Liters.
Water tank capacity with float valve (13)	_____	350 Liters
Thickness of retort tank (29)	_____	5 mm.
Thickness of cover (4)	_____	5 mm.
Total of rail for basket	_____	1 Set.
Cover system of retort tank (1)	_____	Cover turn by hand.
M.I.G. Thermometer range (7)	_____	80 - 130 °C.
M.I.G. Thermometer scale (7)	_____	0.5 °C.
Pressure gauge range (8)	_____	0 - 4 kg/cm ² .
Pressure gauge diameter (8)	_____	3 1/2"
Temperature recorder (9)	_____	1 Set.
Air regulator (28)	_____	1 Set.
Safety valve diameter (11)	_____	1"
Bleeder valve (6)	_____	(1/8") 2 Units.
Vent valve (12)	_____	(3/4") 1 Units.
Reducing Valve (15)	_____	1 Unit.
By pass valve (31)	_____	2 Units.
Main breaker (14)	_____	1 Unit.
Over flow pipe diameter (17)	_____	1 1/2"
Drain valve & Steam trap (19 & 30)	_____	1 Unit.
Sight glass (18)	_____	1 Unit.
Cooling pressure system	_____	Automatic
Temperature control system	_____	Automatic
Cooling pump (material contact water is SUS.)(23)	_____	1 Hp.
Car for basket	_____	1 Unit.
Basket for can	_____	2 Units.



OWNER FOODS MACHINERY CO.,LTD.
Food Processing Equipment & Machine

80/335 BANGKHUNTAIN RD, SAMAEDUM BANGKHUNTAIN BANGKOK 10150 TEL. (662) 02-899-8834, 02-899-8939 FAX. (662) 02-899-8348

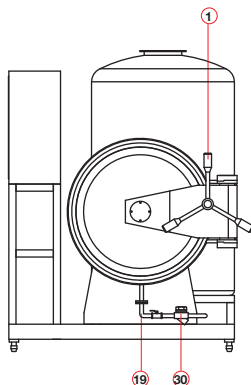
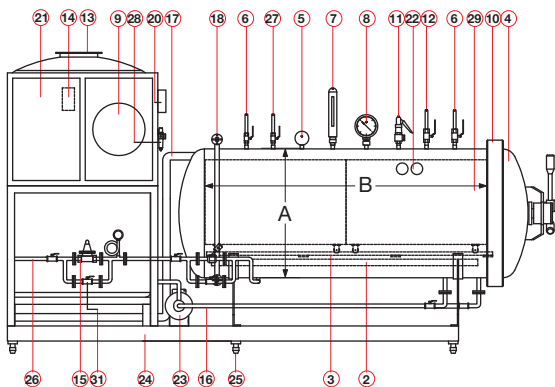
Horizontal RETORT



Model 400 ROFM



Control & Temp. recorder



400 ROFM

Technical Data

Retort tank diameter (A)	650 mm.
Retort tank length (B)	1220 mm.
Retort tank capacity (L)	400 Liters.
Water tank capacity with float valve (13)	500 Liters
Thickness of retort tank (29)	5 mm.
Thickness of cover (4)	5 mm.
Total of rail for basket	1 Set.
Cover system of retort tank (1)	Cover turn by hand.
M.I.G. Thermometer range (7)	80 - 130 °C.
M.I.G. Thermometer scale (7)	0.5 °C.
Pressure gauge range (8)	0 - 4 kg/cm ² .
Pressure gauge diameter (8)	3 1/2"
Temperature recorder (9)	1 Set.
Air regulator (28)	1 Set.
Safety valve diameter (11)	3/4"
Bleeder valve (6)	(1/8") 2 Units.
Vent valve (12)	(3/4") 1 Units.
Reducing Valve (15)	1 Unit.
By pass valve (31)	2 Units.
Main breaker (14)	1 Unit.
Over flow pipe diameter (17)	1 1/2"
Drain valve & Steam trap (19 & 30)	1 Unit.
Sight glass (18)	1 Unit.
Cooling pressure system	Automatic
Temperature control system	Automatic
Cooling pump (material contact water is SUS.)(23)	1/2 Hp.
Car for basket	1 Unit.
Basket for can	4 Units.



OWNER FOODS MACHINERY CO.,LTD.
Food Processing Equipment & Machine

80/335 BANGKHUNTAIN RD, SAMAEDUM BANGKHUNTAIN BANGKOK 10150 TEL. (662) 02-899-8834, 02-899-8939 FAX. (662) 02-899-8348